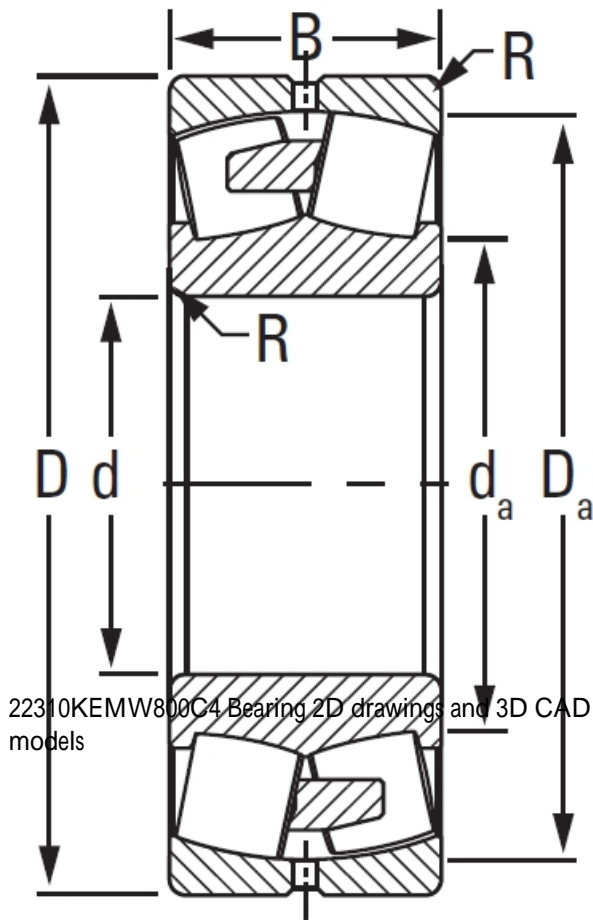




RTU BEARING CORP.OF LTD.

22310KEMW800C4 TIMKEN Tapered Roller Bearings Tapered Single Metric

Bearing No. 22310KEMW800C4



22310KEMW800C4 Bearing 2D drawings and 3D CAD models

| | |
|---|----------------|
| Design Unit | METRIC |
| Bore Taper | 1/12 |
| Bearing Weight | 1.9 Kg |
| Cage Type | EM |
| UPC Code | 087796312876 |
| Cage Material | Brass |
| Superseded Part | 22310KYMW800C4 |
| d | 50 mm |
| D | 109.993 mm |
| B - Inner Ring Width | 40 mm |
| B - Outer Ring Width | 40 mm |
| R - Inner Ring To Clear Radius ¹ | 2.0 mm |
| r - Outer Ring To Clear Radius ² | 2.0 mm |
| da - Inner Ring Backing Diameter | 65.0 mm |
| Da - Outer Ring Backing Diameter | 98.000 mm |
| C0 - Static Radial Rating | 225000 N |
| C1(2) - Dynamic Radial Rating (Two-Rows) | 227000 N |
| e - ISO Factor ³ | 0.36 |
| Y0 - ISO Factor ⁴ | 1.89 |
| Y1 - ISO Factor ⁵ | 2.81 |
| Y2 - ISO Factor ⁶ | 1.85 |
| Reference Thermal Speed | 4700 |



RTU BEARING CORP.OF LTD.

| | |
|--|--------|
| Rating (Grease) | |
| Reference Thermal Speed Rating (Oil) ⁷ | 5600 |
| Cg - Geometry Factor ⁸ | 0.0549 |