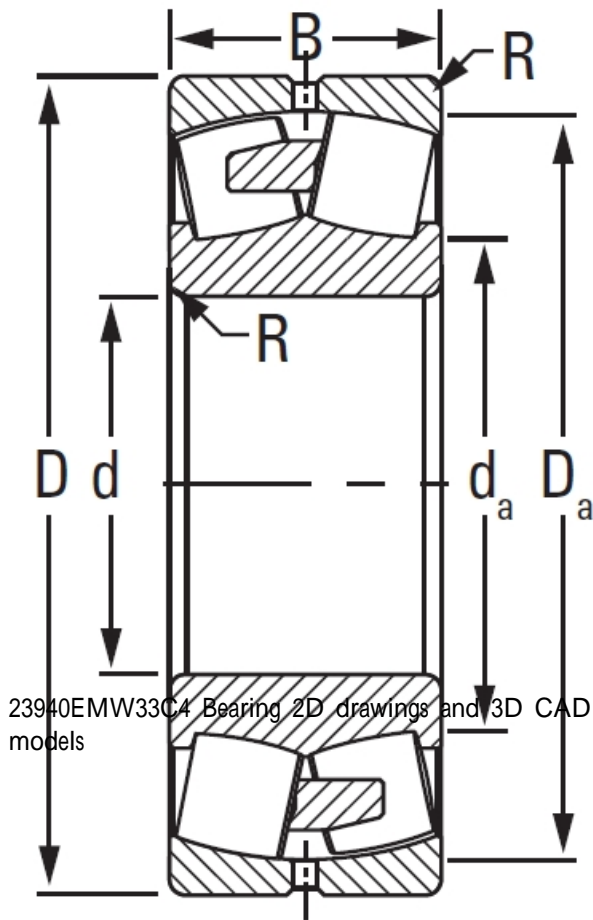




RTU BEARING CORP.OF LTD.

23940EMW33C4 TIMKEN Tapered Roller Bearings Tapered Single Metric

Bearing No. 23940EMW33C4



23940EMW33C4 Bearing 2D drawings and 3D CAD models

Design Unit	METRIC
Bearing Weight	11 Kg
Cage Type	EM
UPC Code	087796082229
Cage Material	Brass
Superseded Part	23940YMW33C4
d	200 mm
D	280 mm
B - Inner Ring Width	60 mm
B - Outer Ring Width	60 mm
R - Inner Ring To Clear Radius ¹	2.0 mm
r - Outer Ring To Clear Radius ²	2.0 mm
da - Inner Ring Backing Diameter	219.000 mm
Da - Outer Ring Backing Diameter	263.000 mm
C0 - Static Radial Rating	1130000 N
C1(2) - Dynamic Radial Rating (Two-Rows)	712000 N
e - ISO Factor ³	0.19
Y0 - ISO Factor ⁴	3.65
Y1 - ISO Factor ⁵	5.43
Y2 - ISO Factor ⁶	3.57
Reference Thermal Speed Rating (Grease)	1600



RTU BEARING CORP.OF LTD.

Reference Thermal Speed Rating (Oil) ⁷	1900
Cg - Geometry Factor ⁸	0.1008