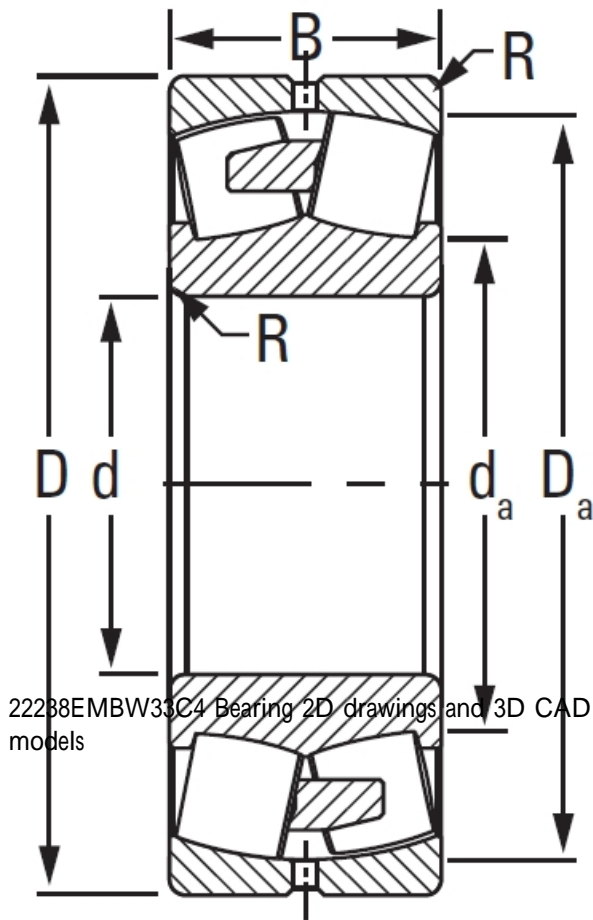




RTU BEARING CORP.OF LTD.

22238EMBW33C4 TIMKEN Tapered Roller Bearings Tapered Single Metric

Bearing No. 22238EMBW33C4



22238EMBW33C4 Bearing 2D drawings and 3D CAD models

Design Unit	METRIC
Bearing Weight	36.00 Kg
Cage Type	EMB
UPC Code	087796301405
Cage Material	Brass
Superseded Part	22238YMBW33C4
d	190.000 mm
D	340.000 mm
B - Inner Ring Width	92 mm
B - Outer Ring Width	92.000 mm
R - Inner Ring To Clear Radius ¹	3.0 mm
r - Outer Ring To Clear Radius ²	3.0 mm
da - Inner Ring Backing Diameter	226.000 mm
Da - Outer Ring Backing Diameter	310.000 mm
C0 - Static Radial Rating	1960000 N
C1(2) - Dynamic Radial Rating (Two-Rows)	1550000 N
e - ISO Factor ³	0.25
Y0 - ISO Factor ⁴	2.67
Y1 - ISO Factor ⁵	3.98
Y2 - ISO Factor ⁶	2.62
Reference Thermal Speed Rating (Grease)	1500



RTU BEARING CORP.OF LTD.

Reference Thermal Speed Rating (Oil) ⁷	1800
Cg - Geometry Factor ⁸	0.0967