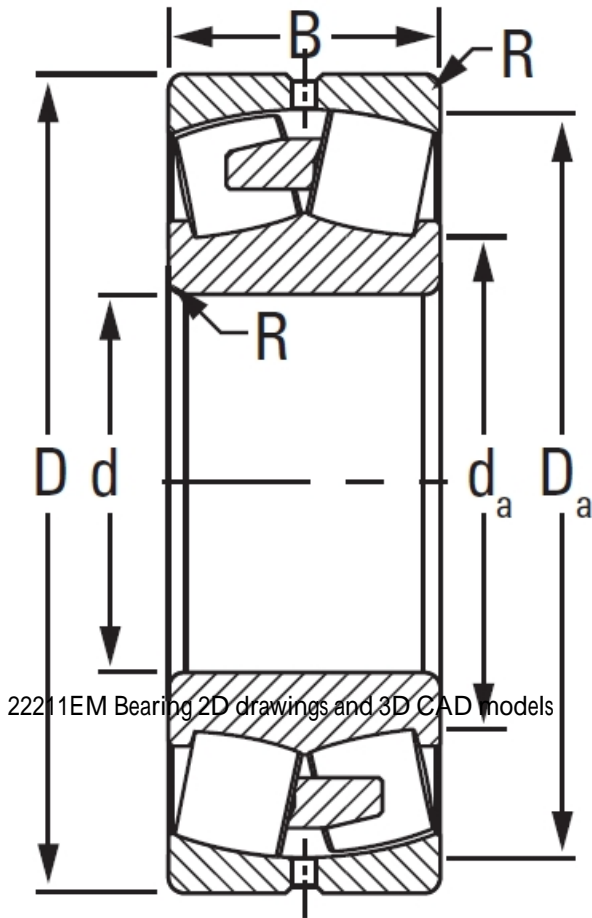




RTU BEARING CORP.OF LTD.

22211EM TIMKEN Tapered Roller Bearings Tapered Single Metric

Bearing No. 22211EM



Design Unit	METRIC
Bearing Weight	0.9 Kg
Cage Type	EM
Cage Material	Brass
Superseded Part	22211YM
d	55 mm
D	100 mm
B - Inner Ring Width	25 mm
B - Outer Ring Width	25 mm
R - Inner Ring To Clear Radius ¹	1.5 mm
r - Outer Ring To Clear Radius ²	1.5 mm
da - Inner Ring Backing Diameter	66.000 mm
Da - Outer Ring Backing Diameter	91.000 mm
C0 - Static Radial Rating	134000 N
C1(2) - Dynamic Radial Rating (Two-Rows)	134000 N
e - ISO Factor ³	0.23
Y0 - ISO Factor ⁴	2.95
Y1 - ISO Factor ⁵	4.4
Y2 - ISO Factor ⁶	2.89
Reference Thermal Speed Rating (Grease)	4700
Reference Thermal Speed Rating (Oil) ⁷	5900



RTU BEARING CORP.OF LTD.

Cg - Geometry Factor ⁸	0.052
-----------------------------------	-------