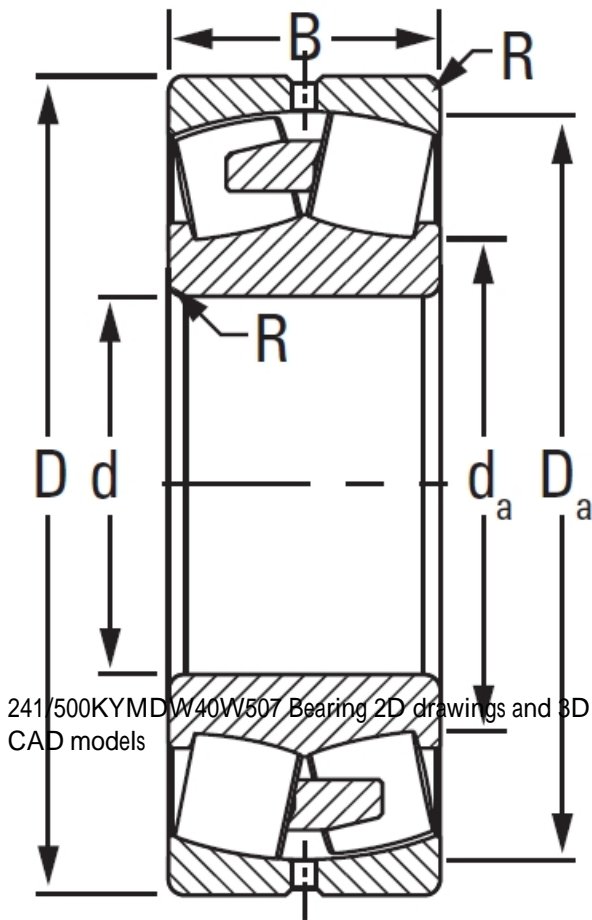




RTU BEARING CORP.OF LTD.

241/500KYMDW40W507 TIMKEN Spherical Roller Bearings Brass Cage

Bearing No. 241/500KYMDW40W507



241/500KYMDW40W507 Bearing 2D drawings and 3D CAD models

Design Unit	METRIC
Bore Taper	1/30
Bearing Weight	700.000 Kg
Cage Type	YMD
Cage Material	Brass
d	500.000 mm
D	830.000 mm
B - Inner Ring Width	325 mm
B - Outer Ring Width	325.000 mm
R - Inner Ring To Clear Radius ¹	6.000 mm
r - Outer Ring To Clear Radius ²	6.000 mm
da - Inner Ring Backing Diameter	563.000 mm
Da - Outer Ring Backing Diameter	755.000 mm
C0 - Static Radial Rating	17600000 N
C1(2) - Dynamic Radial Rating (Two-Rows)	9660000 N
e - ISO Factor ³	0.37
Y0 - ISO Factor ⁴	1.81
Y1 - ISO Factor ⁵	2.69
Y2 - ISO Factor ⁶	1.77
Reference Thermal Speed Rating (Grease)	200
Reference Thermal Speed Rating (Oil) ⁷	200



RTU BEARING CORP.OF LTD.

Cg - Geometry Factor ⁸	0.1067
-----------------------------------	--------