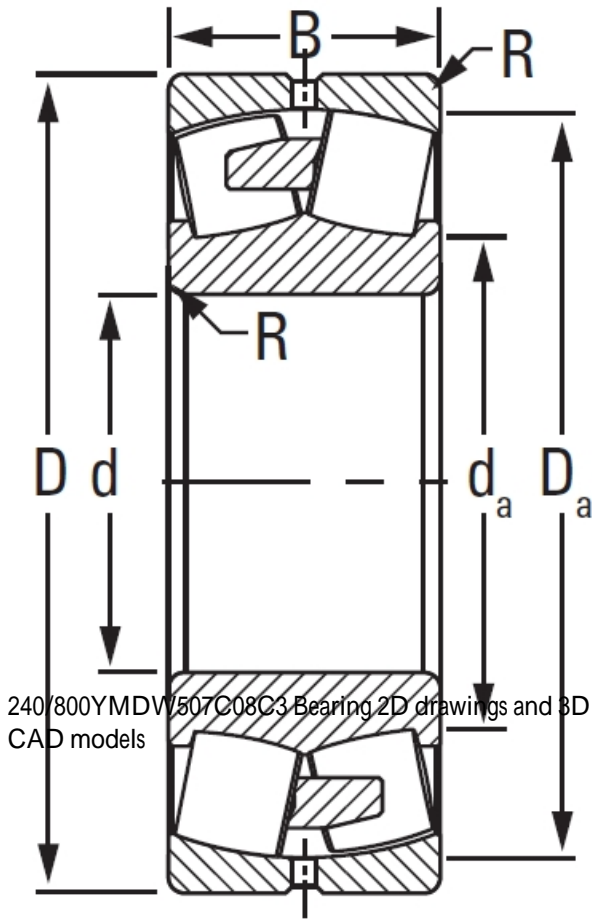




RTU BEARING CORP.OF LTD.

240/800YMDW507C08C3 TIMKEN Spherical Roller Bearings Brass Cage

Bearing No. 240/800YMDW507C08C3



240/800YMDW507C08C3 Bearing 2D drawings and 3D CAD models

Design Unit	METRIC
Bearing Weight	1181.100 Kg
Cage Type	YMD
Cage Material	Brass
d	800.000 mm
D	1150.000 mm
B - Inner Ring Width	345 mm
B - Outer Ring Width	345.000 mm
R - Inner Ring To Clear Radius ¹	6.000 mm
r - Outer Ring To Clear Radius ²	6.000 mm
da - Inner Ring Backing Diameter	877.000 mm
Da - Outer Ring Backing Diameter	1072.000 mm
C0 - Static Radial Rating	28600000 N
C1(2) - Dynamic Radial Rating (Two-Rows)	13000000 N
e - ISO Factor ³	0.26
Y0 - ISO Factor ⁴	2.55
Y1 - ISO Factor ⁵	3.8
Y2 - ISO Factor ⁶	2.5
Reference Thermal Speed Rating (Grease)	180
Reference Thermal Speed Rating (Oil) ⁷	190
Cg - Geometry Factor ⁸	0.1399



RTU BEARING CORP.OF LTD.