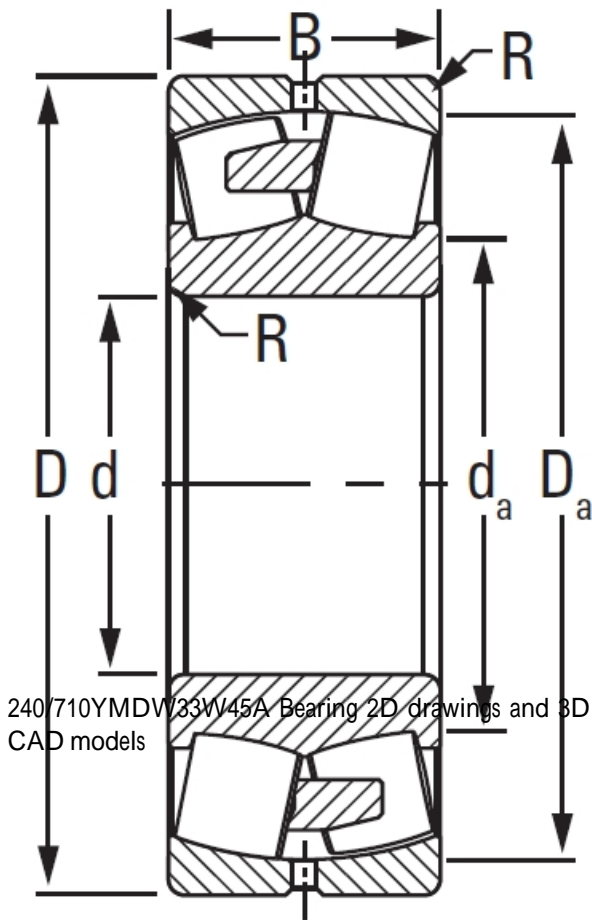




RTU BEARING CORP.OF LTD.

240/710YMDW33W45A TIMKEN Spherical Roller Bearings Brass Cage

Bearing No. 240/710YMDW33W45A



240/710YMDW33W45A Bearing 2D drawings and 3D CAD models

Design Unit	METRIC
Bearing Weight	865.200 Kg
Cage Type	YMD
Cage Material	Brass
d	710.000 mm
D	1030.000 mm
B - Inner Ring Width	315 mm
B - Outer Ring Width	315.000 mm
R - Inner Ring To Clear Radius ¹	6.000 mm
r - Outer Ring To Clear Radius ²	6.000 mm
da - Inner Ring Backing Diameter	779.000 mm
Da - Outer Ring Backing Diameter	960.000 mm
C0 - Static Radial Rating	23100000 N
C1(2) - Dynamic Radial Rating (Two-Rows)	10900000 N
e - ISO Factor ³	0.27
Y0 - ISO Factor ⁴	2.49
Y1 - ISO Factor ⁵	3.71
Y2 - ISO Factor ⁶	2.44
Reference Thermal Speed Rating (Grease)	210
Reference Thermal Speed Rating (Oil) ⁷	230
Cg - Geometry Factor ⁸	0.1299



RTU BEARING CORP.OF LTD.