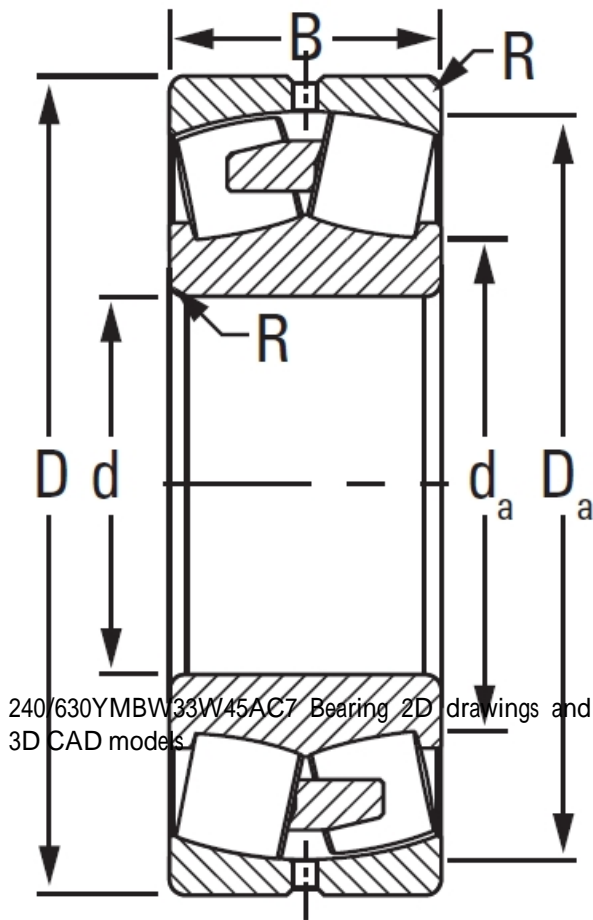




RTU BEARING CORP.OF LTD.

240/630YMBW33W45AC7 TIMKEN Spherical Roller Bearings Brass Cage

Bearing No. 240/630YMBW33W45AC7



240/630YMBW33W45AC7 Bearing 2D drawings and 3D CAD models

Design Unit	METRIC
Bearing Weight	647.800 Kg
Cage Type	YMB
Cage Material	Brass
d	630.000 mm
D	920.000 mm
B - Inner Ring Width	290 mm
B - Outer Ring Width	290.000 mm
R - Inner Ring To Clear Radius ¹	6.000 mm
r - Outer Ring To Clear Radius ²	6.000 mm
da - Inner Ring Backing Diameter	691.000 mm
Da - Outer Ring Backing Diameter	857.000 mm
C0 - Static Radial Rating	18700000 N
C1(2) - Dynamic Radial Rating (Two-Rows)	9010000 N
e - ISO Factor ³	0.28
Y0 - ISO Factor ⁴	2.41
Y1 - ISO Factor ⁵	3.59
Y2 - ISO Factor ⁶	2.36
Reference Thermal Speed Rating (Grease)	250
Reference Thermal Speed Rating (Oil) ⁷	270
Cg - Geometry Factor ⁸	0.1203



RTU BEARING CORP.OF LTD.