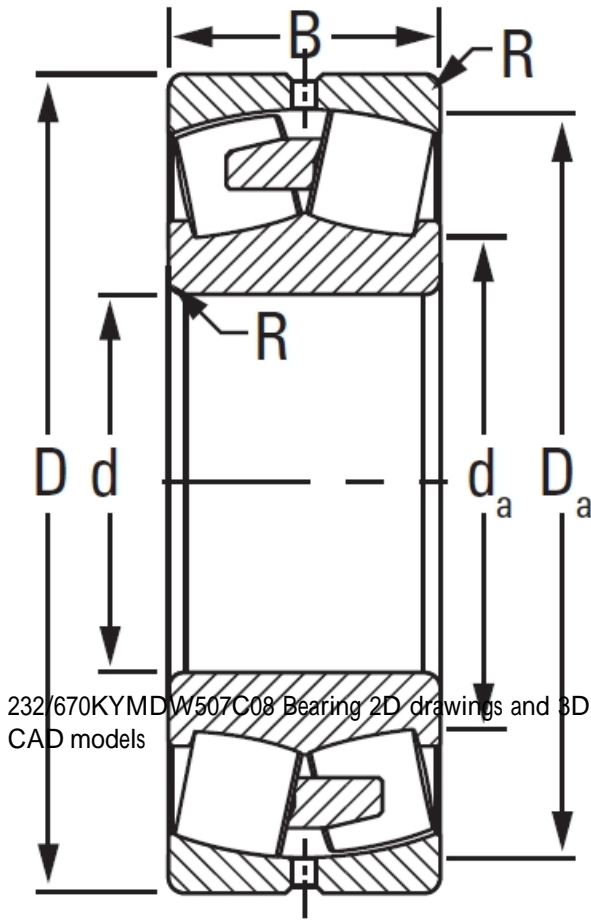




# RTU BEARING CORP.OF LTD.

## 232/670KYMDW507C08 TIMKEN Cylindrical Roller Radial Bearings

Bearing No. 232/670KYMDW507C08



232/670KYMDW507C08 Bearing 2D drawings and 3D CAD models

Design Unit	METRIC
Bore Taper	1/12
Bearing Weight	2181.400 Kg
Cage Type	YMD
UPC Code	087796141452
Cage Material	Brass
d	670.000 mm
D	1220.000 mm
B - Inner Ring Width	438 mm
B - Outer Ring Width	438.000 mm
R - Inner Ring To Clear Radius <sup>1</sup>	9.000 mm
r - Outer Ring To Clear Radius <sup>2</sup>	9.000 mm
da - Inner Ring Backing Diameter	779.100 mm
Da - Outer Ring Backing Diameter	1097.300 mm
C0 - Static Radial Rating	31800000 N
C1(2) - Dynamic Radial Rating (Two-Rows)	18800000 N
e - ISO Factor <sup>3</sup>	0.35
Y0 - ISO Factor <sup>4</sup>	1.95
Y1 - ISO Factor <sup>5</sup>	2.91
Y2 - ISO Factor <sup>6</sup>	1.91
Reference Thermal Speed Rating (Grease)	160



## RTU BEARING CORP.OF LTD.

Reference Thermal Speed Rating (Oil) <sup>7</sup>	160
Cg - Geometry Factor <sup>8</sup>	0.1256