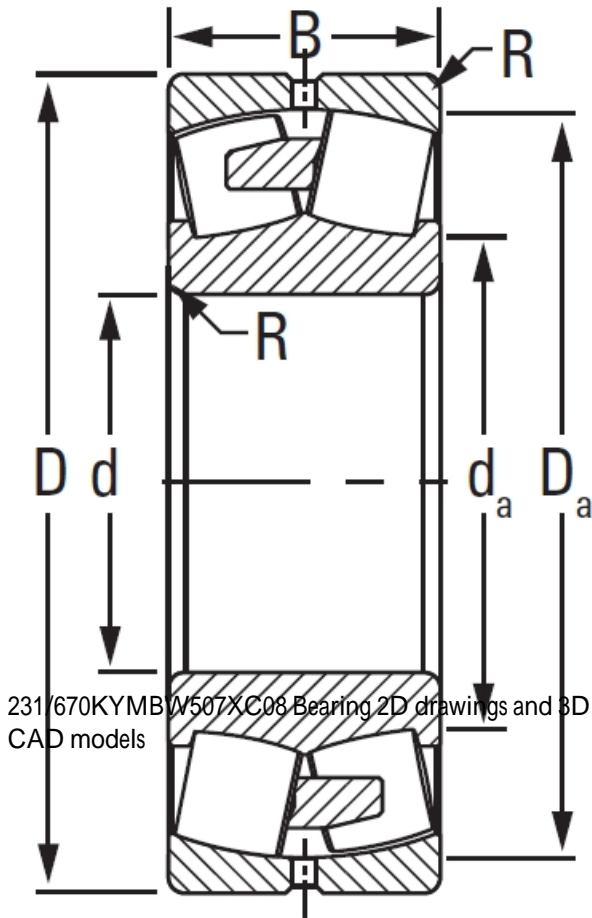




RTU BEARING CORP.OF LTD.

231/670KYMBW507XC08 TIMKEN Cylindrical Roller Radial Bearings

Bearing No. 231/670KYMBW507XC08



231/670KYMBW507XC08 Bearing 2D drawings and 3D CAD models

Design Unit	METRIC
Bore Taper	1/12
Bearing Weight	1247.00 Kg
Cage Type	YMB
Cage Material	Brass
d	670.000 mm
D	1090.000 mm
B - Inner Ring Width	336 mm
B - Outer Ring Width	336.000 mm
R - Inner Ring To Clear Radius ¹	6.000 mm
r - Outer Ring To Clear Radius ²	6.000 mm
da - Inner Ring Backing Diameter	760.000 mm
Da - Outer Ring Backing Diameter	995.000 mm
C0 - Static Radial Rating	23400000 N
C1(2) - Dynamic Radial Rating (Two-Rows)	12800000 N
e - ISO Factor ³	0.29
Y0 - ISO Factor ⁴	2.31
Y1 - ISO Factor ⁵	3.44
Y2 - ISO Factor ⁶	2.26
Reference Thermal Speed Rating (Grease)	220
Reference Thermal Speed Rating (Oil) ⁷	240



RTU BEARING CORP.OF LTD.

Cg - Geometry Factor ⁸	0.128
-----------------------------------	-------