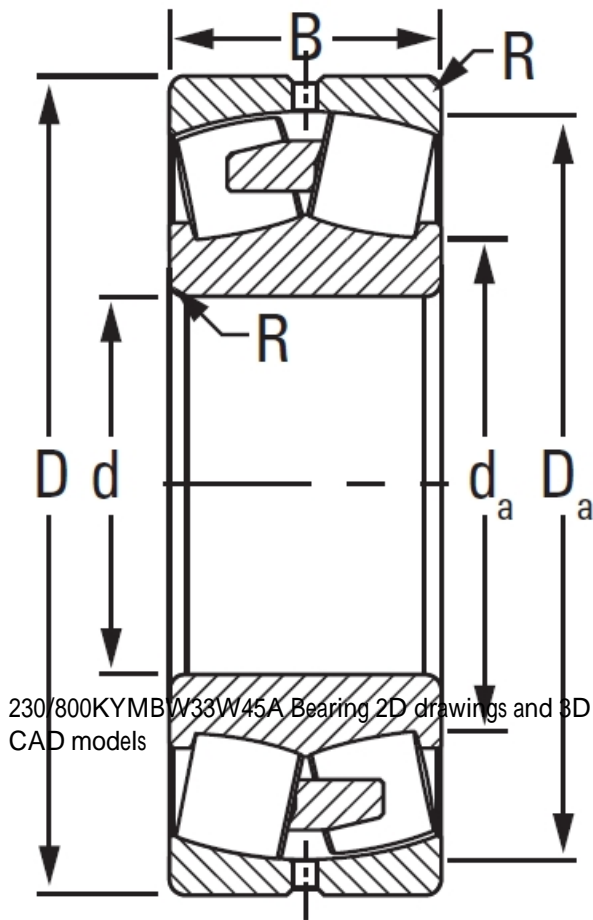




RTU BEARING CORP.OF LTD.

230/800KYMBW33W45A TIMKEN Cylindrical Roller Radial Bearings

Bearing No. 230/800KYMBW33W45A



230/800KYMBW33W45A Bearing 2D drawings and 3D CAD models

Design Unit	METRIC
Bore Taper	1/12
Bearing Weight	860.700 Kg
Cage Type	YMB
Cage Material	Brass
d	800.000 mm
D	1150.000 mm
B - Inner Ring Width	258 mm
B - Outer Ring Width	258.000 mm
R - Inner Ring To Clear Radius ¹	6.000 mm
r - Outer Ring To Clear Radius ²	6.000 mm
da - Inner Ring Backing Diameter	888.000 mm
Da - Outer Ring Backing Diameter	1075.000 mm
C0 - Static Radial Rating	21100000 N
C1(2) - Dynamic Radial Rating (Two-Rows)	10200000 N
e - ISO Factor ³	0.19
Y0 - ISO Factor ⁴	3.5
Y1 - ISO Factor ⁵	5.22
Y2 - ISO Factor ⁶	3.43
Reference Thermal Speed Rating (Grease)	260
Reference Thermal Speed Rating (Oil) ⁷	300



RTU BEARING CORP.OF LTD.

Cg - Geometry Factor ⁸	0.1402
-----------------------------------	--------