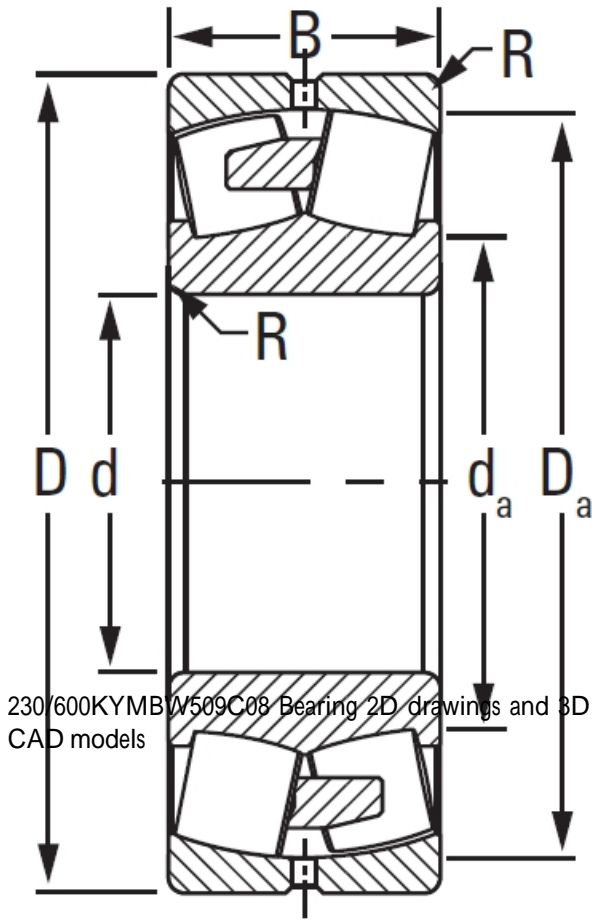




RTU BEARING CORP.OF LTD.

230/600KYMBW509C08 TIMKEN Cylindrical Roller Radial Bearings

Bearing No. 230/600KYMBW509C08



230/600KYMBW509C08 Bearing 2D drawings and 3D CAD models

Design Unit	METRIC
Bore Taper	1/12
Bearing Weight	395.000 Kg
Cage Type	YMB
UPC Code	087796204928
Cage Material	Brass
d	600.000 mm
D	870.000 mm
B - Inner Ring Width	200 mm
B - Outer Ring Width	200.000 mm
R - Inner Ring To Clear Radius ¹	5.000 mm
r - Outer Ring To Clear Radius ²	5.000 mm
da - Inner Ring Backing Diameter	664.000 mm
Da - Outer Ring Backing Diameter	811.000 mm
C0 - Static Radial Rating	11700000 N
C1(2) - Dynamic Radial Rating (Two-Rows)	6040000 N
e - ISO Factor ³	0.21
Y0 - ISO Factor ⁴	3.27
Y1 - ISO Factor ⁵	4.87
Y2 - ISO Factor ⁶	3.2
Reference Thermal Speed Rating (Grease)	400



RTU BEARING CORP.OF LTD.

Reference Thermal Speed Rating (Oil) ⁷	450
Cg - Geometry Factor ⁸	0.1173