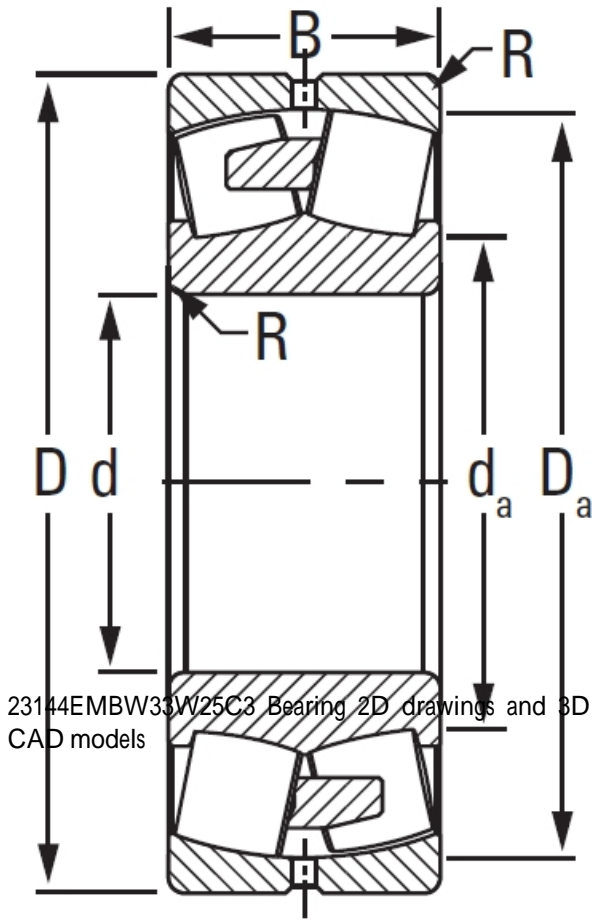




RTU BEARING CORP.OF LTD.

23144EMBW33W25C3 TIMKEN Cylindrical Roller Radial Bearings

Bearing No. 23144EMBW33W25C3



23144EMBW33W25C3 Bearing 2D drawings and 3D CAD models

Design Unit	METRIC
Bearing Weight	52.800 Kg
Cage Type	EMB
Cage Material	Brass
Superseded Part	23144YMBW33W25C3
d	220 mm
D	370 mm
B - Inner Ring Width	120 mm
B - Outer Ring Width	120 mm
R - Inner Ring To Clear Radius ¹	3.0 mm
r - Outer Ring To Clear Radius ²	3.0 mm
da - Inner Ring Backing Diameter	252.000 mm
Da - Outer Ring Backing Diameter	336.000 mm
C0 - Static Radial Rating	2740000 N
C1(2) - Dynamic Radial Rating (Two-Rows)	1940000 N
e - ISO Factor ³	0.31
Y0 - ISO Factor ⁴	2.17
Y1 - ISO Factor ⁵	3.24
Y2 - ISO Factor ⁶	2.12
Reference Thermal Speed Rating (Grease)	1000
Reference Thermal Speed Rating (Oil) ⁷	1200



RTU BEARING CORP.OF LTD.

Cg - Geometry Factor ⁸	0.1033
-----------------------------------	--------