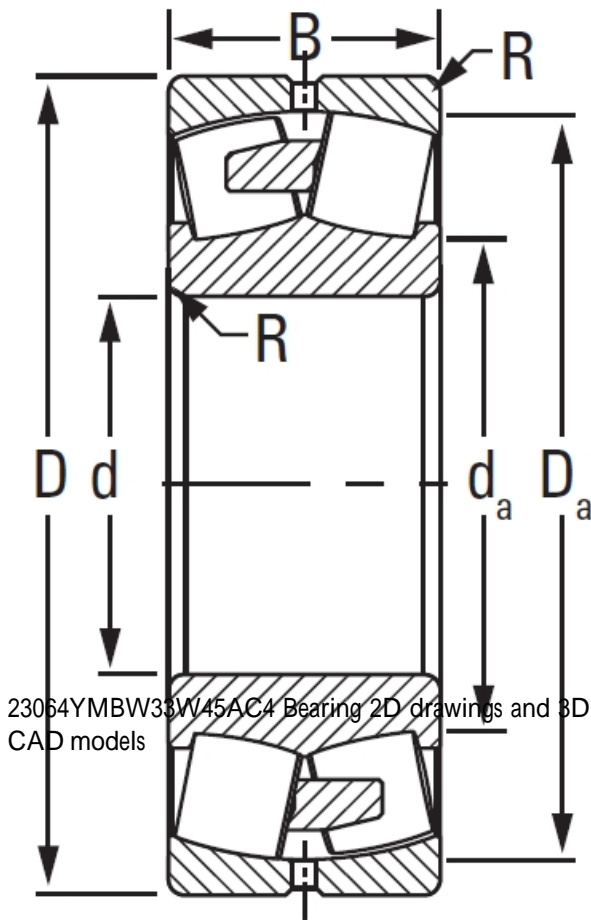




RTU BEARING CORP.OF LTD.

23064YMBW33W45AC4 TIMKEN Spherical Roller Bearings Steel Cage

Bearing No. 23064YMBW33W45AC4



23064YMBW33W45AC4 Bearing 2D drawings and 3D CAD models

Design Unit	METRIC
Bearing Weight	77.4 Kg
Cage Type	YMB
Cage Material	Brass
d	320.000 mm
D	480.000 mm
B - Inner Ring Width	121 mm
B - Outer Ring Width	121.000 mm
R - Inner Ring To Clear Radius ¹	3.0 mm
r - Outer Ring To Clear Radius ²	3.0 mm
da - Inner Ring Backing Diameter	355.000 mm
Da - Outer Ring Backing Diameter	444.000 mm
C0 - Static Radial Rating	3880000 N
C1(2) - Dynamic Radial Rating (Two-Rows)	2410000 N
e - ISO Factor ³	0.23
Y0 - ISO Factor ⁴	2.93
Y1 - ISO Factor ⁵	4.36
Y2 - ISO Factor ⁶	2.86
Reference Thermal Speed Rating (Grease)	880
Reference Thermal Speed Rating (Oil) ⁷	1000
Cg - Geometry Factor ⁸	0.1278



RTU BEARING CORP.OF LTD.