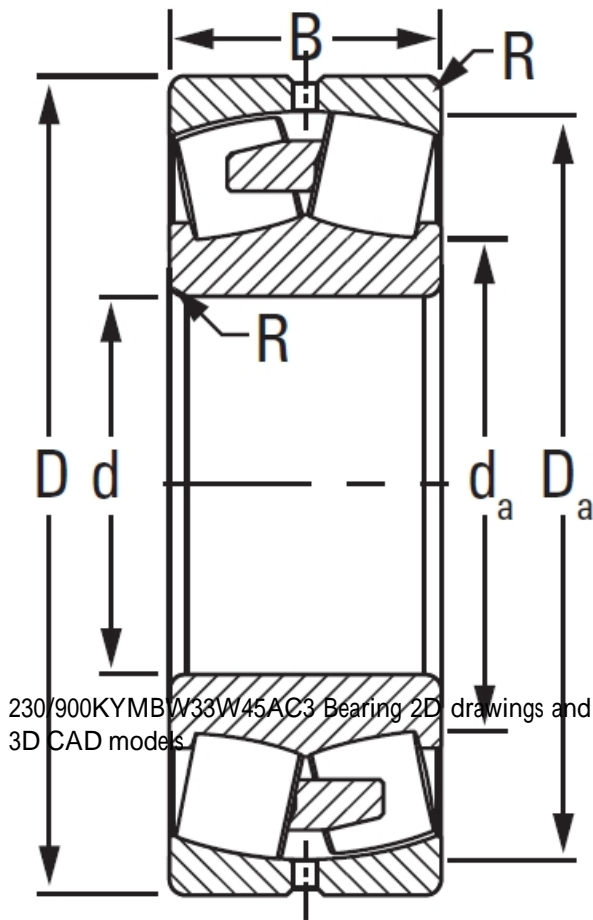




RTU BEARING CORP.OF LTD.

230/900KYMBW33W45AC3 TIMKEN Spherical Roller Bearings Steel Cage

Bearing No. 230/900KYMBW33W45AC3



230/900KYMBW33W45AC3 Bearing 2D drawings and 3D CAD models

Design Unit	METRIC
Bore Taper	1/12
Bearing Weight	1130.200 Kg
Cage Type	YMB
Cage Material	Brass
d	900.000 mm
D	1280.000 mm
B - Inner Ring Width	280 mm
B - Outer Ring Width	280.000 mm
R - Inner Ring To Clear Radius ¹	6.000 mm
r - Outer Ring To Clear Radius ²	6.000 mm
da - Inner Ring Backing Diameter	989.000 mm
Da - Outer Ring Backing Diameter	1198.000 mm
C0 - Static Radial Rating	25500000 N
C1(2) - Dynamic Radial Rating (Two-Rows)	12200000 N
e - ISO Factor ³	0.2
Y0 - ISO Factor ⁴	3.41
Y1 - ISO Factor ⁵	5.08
Y2 - ISO Factor ⁶	3.33
Reference Thermal Speed Rating (Grease)	230
Reference Thermal Speed Rating (Oil) ⁷	250



RTU BEARING CORP.OF LTD.

Cg - Geometry Factor ⁸	0.1428
-----------------------------------	--------