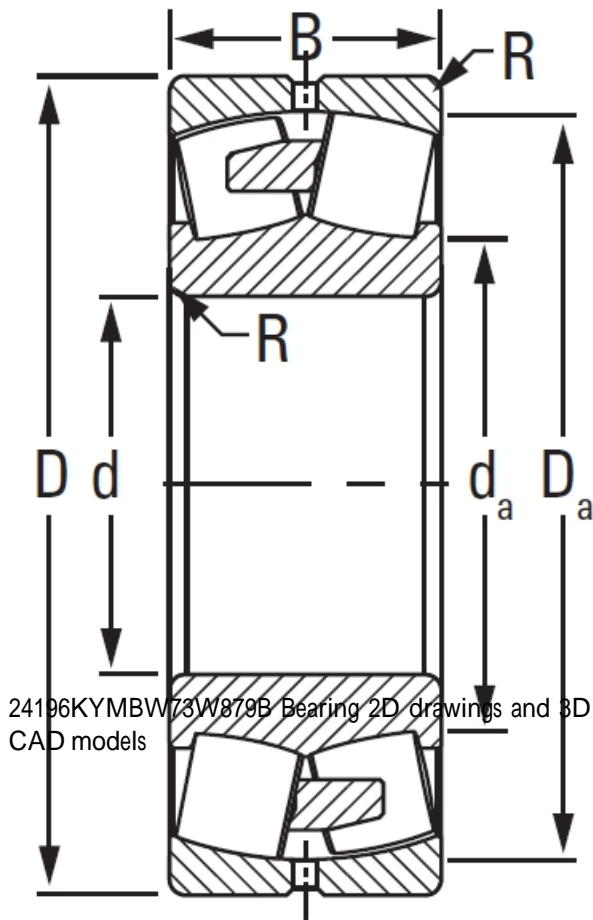




RTU BEARING CORP.OF LTD.

24196KYMBW73W879B TIMKEN Spherical Roller Bearings Steel Cage

Bearing No. 24196KYMBW73W879B



24196KYMBW73W879B Bearing 2D drawings and 3D CAD models

Design Unit	METRIC
Bore Taper	1/30
Bearing Weight	605.300 Kg
Cage Type	YMB
Cage Material	Brass
d	480.000 mm
D	790.000 mm
B - Inner Ring Width	308 mm
B - Outer Ring Width	308.000 mm
R - Inner Ring To Clear Radius ¹	6.000 mm
r - Outer Ring To Clear Radius ²	6.000 mm
da - Inner Ring Backing Diameter	542.000 mm
Da - Outer Ring Backing Diameter	718.000 mm
C0 - Static Radial Rating	15900000 N
C1(2) - Dynamic Radial Rating (Two-Rows)	8580000 N
e - ISO Factor ³	0.37
Y0 - ISO Factor ⁴	1.85
Y1 - ISO Factor ⁵	2.75
Y2 - ISO Factor ⁶	1.81
Reference Thermal Speed Rating (Grease)	210
Reference Thermal Speed Rating (Oil) ⁷	220



RTU BEARING CORP.OF LTD.

Cg - Geometry Factor ⁸	0.1048
-----------------------------------	--------