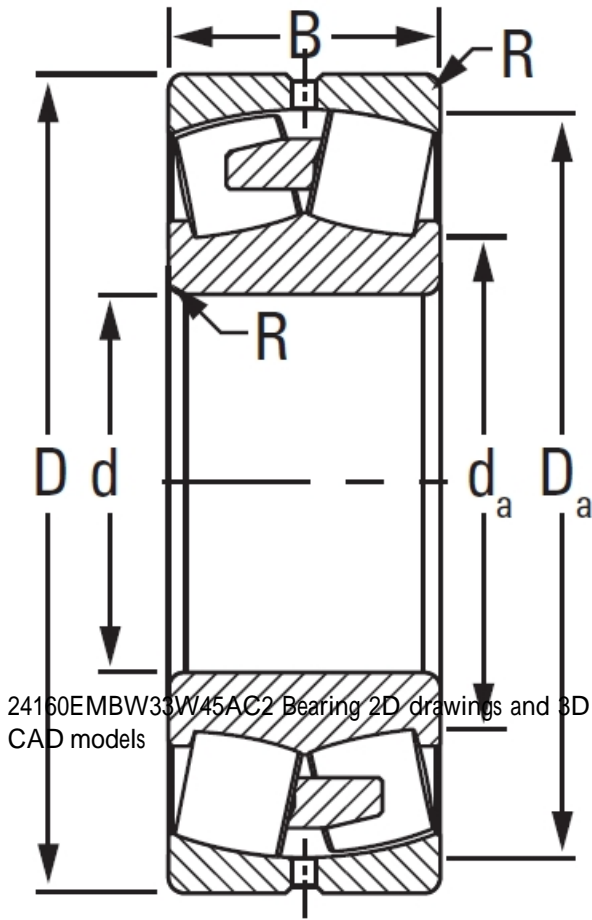




RTU BEARING CORP.OF LTD.

24160EMBW33W45AC2 TIMKEN Spherical Roller Bearings Steel Cage

Bearing No. 24160EMBW33W45AC2



24160EMBW33W45AC2 Bearing 2D drawings and 3D CAD models

Design Unit	METRIC
Bearing Weight	157.10 Kg
Cage Type	EMB
Cage Material	Brass
Superseded Part	24160YMBW33W45AC2
d	300.000 mm
D	500.000 mm
B - Inner Ring Width	200 mm
B - Outer Ring Width	200.000 mm
R - Inner Ring To Clear Radius ¹	4.000 mm
r - Outer Ring To Clear Radius ²	4.000 mm
da - Inner Ring Backing Diameter	336.000 mm
Da - Outer Ring Backing Diameter	455.000 mm
C0 - Static Radial Rating	6270000 N
C1(2) - Dynamic Radial Rating (Two-Rows)	4060000 N
e - ISO Factor ³	0.37
Y0 - ISO Factor ⁴	1.82
Y1 - ISO Factor ⁵	2.71
Y2 - ISO Factor ⁶	1.78
Reference Thermal Speed Rating (Grease)	440
Reference Thermal Speed Rating (Oil) ⁷	470



RTU BEARING CORP.OF LTD.

Cg - Geometry Factor ⁸	0.1252
-----------------------------------	--------