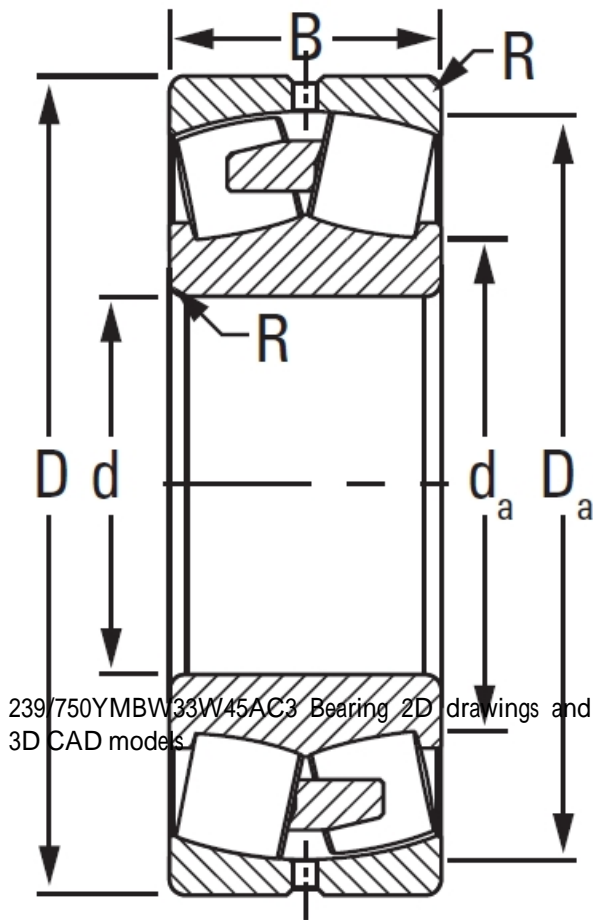




RTU BEARING CORP.OF LTD.

239/750YMBW33W45AC3 TIMKEN Spherical Roller Bearings Steel Cage

Bearing No. 239/750YMBW33W45AC3



239/750YMBW33W45AC3 Bearing 2D drawings and 3D CAD models

Design Unit	METRIC
Bearing Weight	405.700 Kg
Cage Type	YMB
Cage Material	Brass
d	750.000 mm
D	1000.000 mm
B - Inner Ring Width	185 mm
B - Outer Ring Width	185.000 mm
R - Inner Ring To Clear Radius ¹	5.000 mm
r - Outer Ring To Clear Radius ²	5.000 mm
da - Inner Ring Backing Diameter	813.000 mm
Da - Outer Ring Backing Diameter	946.000 mm
C0 - Static Radial Rating	13400000 N
C1(2) - Dynamic Radial Rating (Two-Rows)	6010000 N
e - ISO Factor ³	0.16
Y0 - ISO Factor ⁴	4.23
Y1 - ISO Factor ⁵	6.3
Y2 - ISO Factor ⁶	4.14
Reference Thermal Speed Rating (Grease)	310
Reference Thermal Speed Rating (Oil) ⁷	350
Cg - Geometry Factor ⁸	0.1329



RTU BEARING CORP.OF LTD.