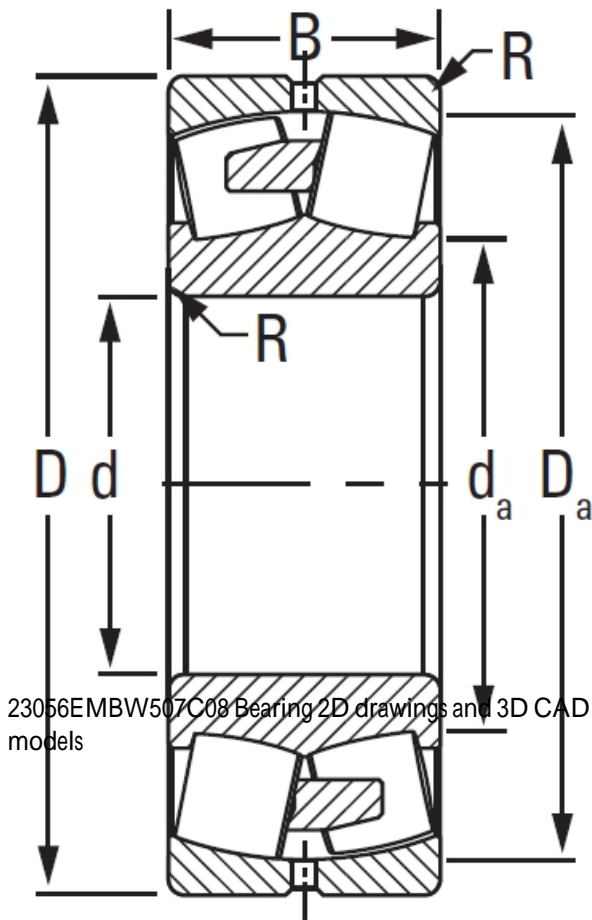




RTU BEARING CORP.OF LTD.

23056EMBW507C08 TIMKEN Tapered Roller Bearings Tapered Single Imperial

Bearing No. 23056EMBW507C08



Design Unit	METRIC
Bearing Weight	51 Kg
Cage Type	EMB
UPC Code	087796176591
Cage Material	Brass
Superseded Part	23056YMBW507C08
d	280.000 mm
D	420 mm
B - Inner Ring Width	106 mm
B - Outer Ring Width	106.000 mm
R - Inner Ring To Clear Radius ¹	3.0 mm
r - Outer Ring To Clear Radius ²	3.0 mm
da - Inner Ring Backing Diameter	309.000 mm
Da - Outer Ring Backing Diameter	389.000 mm
C0 - Static Radial Rating	2810000 N
C1(2) - Dynamic Radial Rating (Two-Rows)	1820000 N
e - ISO Factor ³	0.23
Y0 - ISO Factor ⁴	2.92
Y1 - ISO Factor ⁵	4.35
Y2 - ISO Factor ⁶	2.86
Reference Thermal Speed Rating (Grease)	1100



RTU BEARING CORP.OF LTD.

Reference Thermal Speed Rating (Oil) ⁷	1300
Cg - Geometry Factor ⁸	0.1182