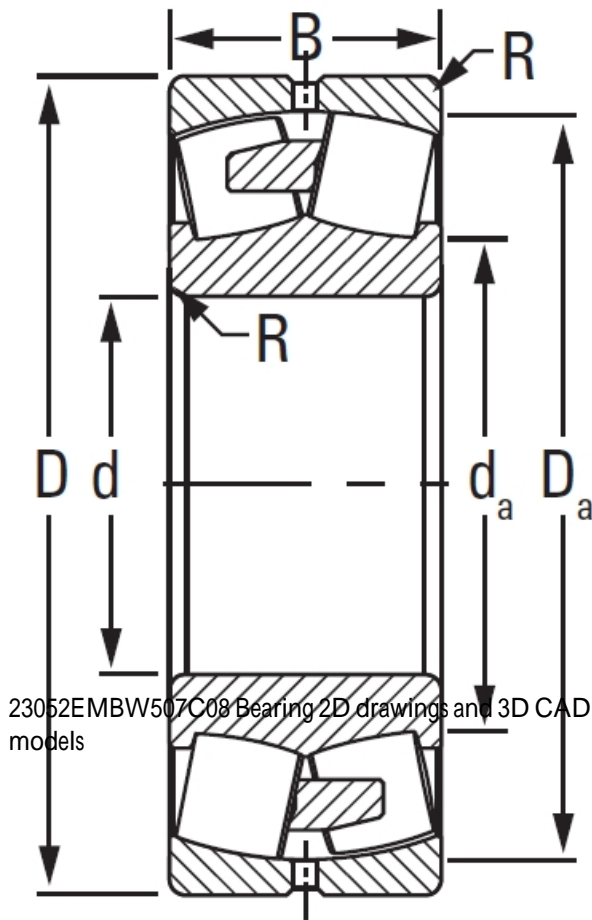




RTU BEARING CORP.OF LTD.

23052EMBW507C08 TIMKEN Tapered Roller Bearings Tapered Single Imperial

Bearing No. 23052EMBW507C08



Design Unit	METRIC
Bearing Weight	47.600 Kg
Cage Type	EMB
UPC Code	087796193888
Cage Material	Brass
Superseded Part	23052YMBW507C08
d	260 mm
D	400.000 mm
B - Inner Ring Width	104 mm
B - Outer Ring Width	104.000 mm
R - Inner Ring To Clear Radius ¹	3.0 mm
r - Outer Ring To Clear Radius ²	3.0 mm
da - Inner Ring Backing Diameter	291.000 mm
Da - Outer Ring Backing Diameter	369.000 mm
C0 - Static Radial Rating	2740000 N
C1(2) - Dynamic Radial Rating (Two-Rows)	1820000 N
e - ISO Factor ³	0.24
Y0 - ISO Factor ⁴	2.85
Y1 - ISO Factor ⁵	4.24
Y2 - ISO Factor ⁶	2.78
Reference Thermal Speed Rating (Grease)	1100



RTU BEARING CORP.OF LTD.

Reference Thermal Speed Rating (Oil) ⁷	1300
Cg - Geometry Factor ⁸	0.1126