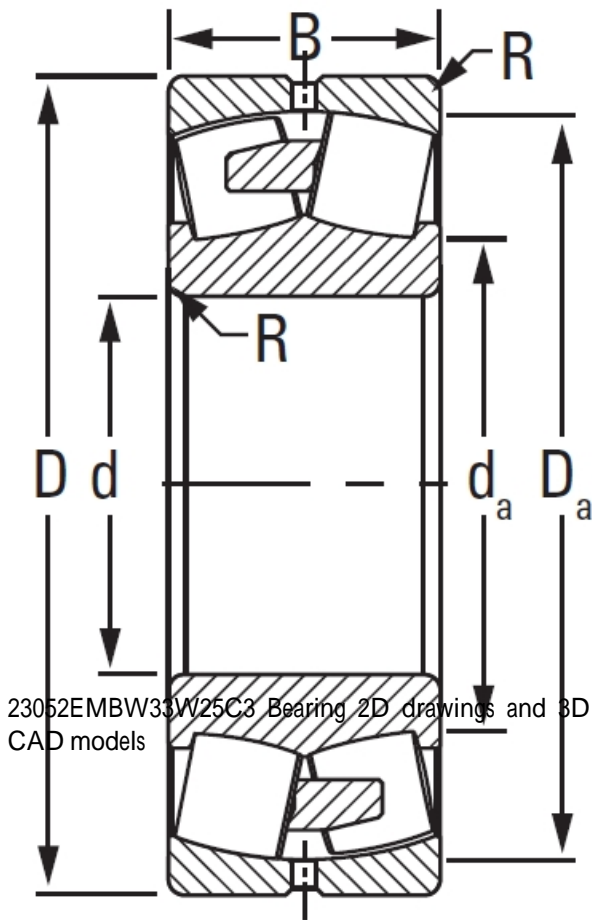




# RTU BEARING CORP.OF LTD.

## 23052EMBW33W25C3 TIMKEN Tapered Roller Bearings Tapered Single Imperial

Bearing No. 23052EMBW33W25C3



Design Unit	METRIC
Bearing Weight	47.600 Kg
Cage Type	EMB
Cage Material	Brass
Superseded Part	23052YMBW33W25C3
d	260 mm
D	400.000 mm
B - Inner Ring Width	104 mm
B - Outer Ring Width	104.000 mm
R - Inner Ring To Clear Radius <sup>1</sup>	3.0 mm
r - Outer Ring To Clear Radius <sup>2</sup>	3.0 mm
da - Inner Ring Backing Diameter	291.000 mm
Da - Outer Ring Backing Diameter	369.000 mm
C0 - Static Radial Rating	2740000 N
C1(2) - Dynamic Radial Rating (Two-Rows)	1820000 N
e - ISO Factor <sup>3</sup>	0.24
Y0 - ISO Factor <sup>4</sup>	2.85
Y1 - ISO Factor <sup>5</sup>	4.24
Y2 - ISO Factor <sup>6</sup>	2.78
Reference Thermal Speed Rating (Grease)	1100
Reference Thermal Speed Rating (Oil) <sup>7</sup>	1300



# RTU BEARING CORP.OF LTD.

Cg - Geometry Factor <sup>8</sup>	0.1126
-----------------------------------	--------