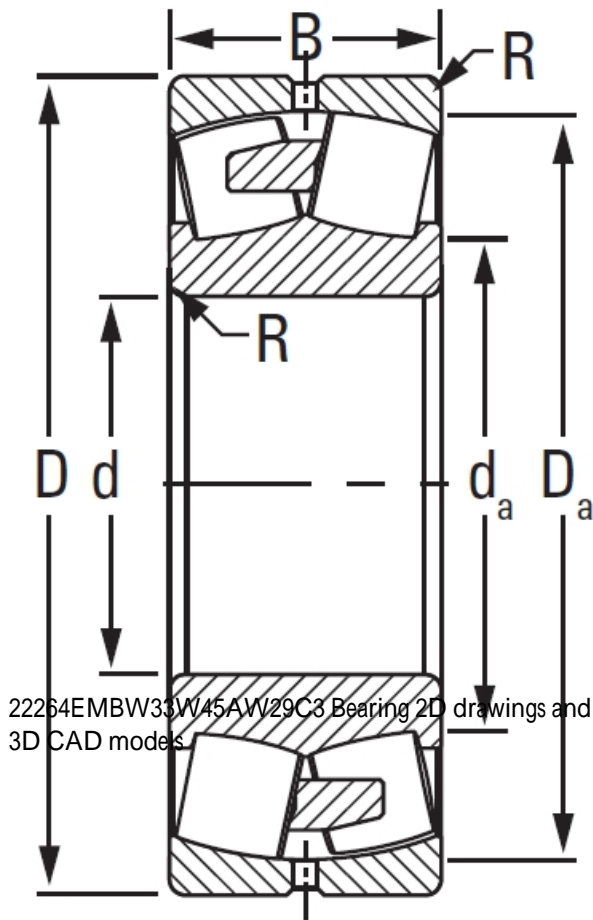




RTU BEARING CORP.OF LTD.

22264EMBW33W45AW29C3 TIMKEN Tapered Roller Bearings Tapered Single Imperial

Bearing No. 22264EMBW33W45AW29C3



22264EMBW33W45AW29C3 Bearing 2D drawings and 3D CAD models

Design Unit	METRIC
Bearing Weight	177.100 Kg
Cage Type	EMB
UPC Code	087796360150
Cage Material	Brass
Superseded Part	22264YMBW33W45AW29C3
d	320.000 mm
D	580.000 mm
B - Inner Ring Width	150 mm
B - Outer Ring Width	150.000 mm
R - Inner Ring To Clear Radius ¹	4.000 mm
r - Outer Ring To Clear Radius ²	4.000 mm
da - Inner Ring Backing Diameter	380.000 mm
Da - Outer Ring Backing Diameter	519.000 mm
C0 - Static Radial Rating	5000000 N
C1(2) - Dynamic Radial Rating (Two-Rows)	3720000 N
e - ISO Factor ³	0.26
Y0 - ISO Factor ⁴	2.58
Y1 - ISO Factor ⁵	3.84
Y2 - ISO Factor ⁶	2.52
Reference Thermal Speed Rating (Grease)	780



RTU BEARING CORP.OF LTD.

Reference Thermal Speed Rating (Oil) ⁷	900
Cg - Geometry Factor ⁸	0.134