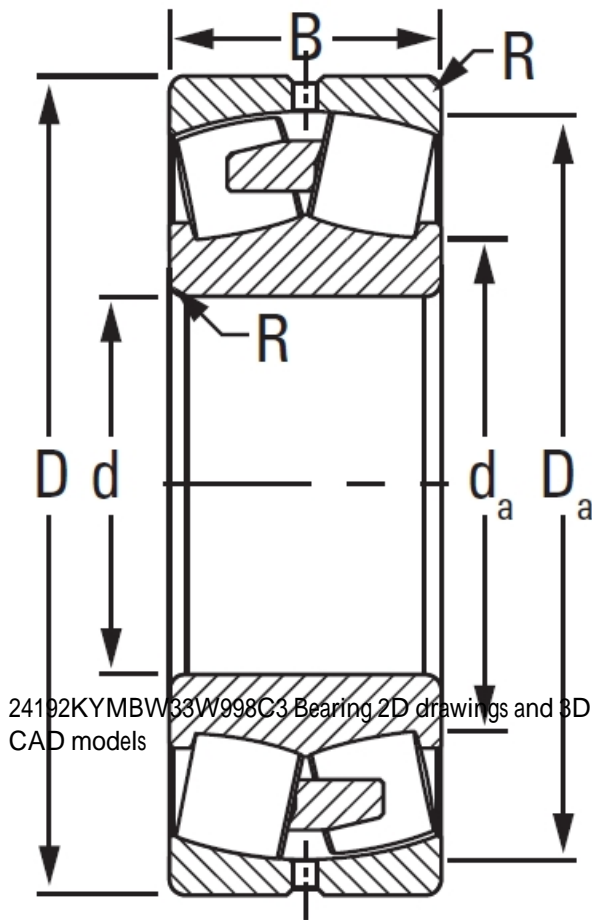




RTU BEARING CORP.OF LTD.

24192KYMBW33W998C3 TIMKEN Tapered Roller Bearings Tapered Single Imperial

Bearing No. 24192KYMBW33W998C3



24192KYMBW33W998C3 Bearing 2D drawings and 3D CAD models

Design Unit	METRIC
Bore Taper	1/30
Bearing Weight	544.900 Kg
Cage Type	YMB
Cage Material	Brass
d	460.000 mm
D	760.000 mm
B - Inner Ring Width	300 mm
B - Outer Ring Width	300.000 mm
R - Inner Ring To Clear Radius ¹	6.000 mm
r - Outer Ring To Clear Radius ²	6.000 mm
da - Inner Ring Backing Diameter	518.000 mm
Da - Outer Ring Backing Diameter	692.000 mm
C0 - Static Radial Rating	14900000 N
C1(2) - Dynamic Radial Rating (Two-Rows)	8200000 N
e - ISO Factor ³	0.37
Y0 - ISO Factor ⁴	1.84
Y1 - ISO Factor ⁵	2.74
Y2 - ISO Factor ⁶	1.8
Reference Thermal Speed Rating (Grease)	220
Reference Thermal Speed Rating (Oil) ⁷	230



RTU BEARING CORP.OF LTD.

Cg - Geometry Factor ⁸	0.1017
-----------------------------------	--------