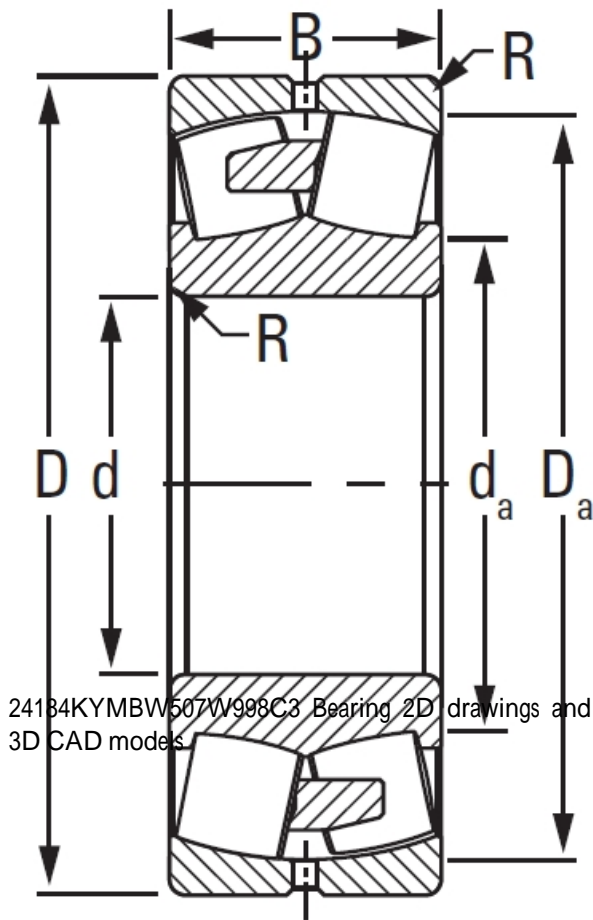




# RTU BEARING CORP.OF LTD.

## 24184KYMBW507W998C3 TIMKEN Tapered Roller Bearings Tapered Single Imperial

Bearing No. 24184KYMBW507W998C3



24184KYMBW507W998C3 Bearing 2D drawings and 3D CAD models

| Design Unit                                       | METRIC     |
|---|------------|
| Bore Taper  | 1/30       |
| Bearing Weight                                    | 432.600 Kg |
| Cage Type   | YMB        |
| Cage Material                                     | Brass      |
| d   | 420.000 mm |
| D   | 700.000 mm |
| B - Inner Ring Width                              | 280 mm     |
| B - Outer Ring Width                              | 280.000 mm |
| R - Inner Ring To Clear Radius <sup>1</sup>       | 5.000 mm   |
| r - Outer Ring To Clear Radius <sup>2</sup>       | 5.000 mm   |
| da - Inner Ring Backing Diameter                  | 474.000 mm |
| Da - Outer Ring Backing Diameter                  | 636.000 mm |
| C0 - Static Radial Rating                         | 12400000 N |
| C1(2) - Dynamic Radial Rating (Two-Rows)          | 6990000 N  |
| e - ISO Factor <sup>3</sup>                       | 0.37       |
| Y0 - ISO Factor <sup>4</sup>                      | 1.81       |
| Y1 - ISO Factor <sup>5</sup>                      | 2.7        |
| Y2 - ISO Factor <sup>6</sup>                      | 1.77       |
| Reference Thermal Speed Rating (Grease)           | 260        |
| Reference Thermal Speed Rating (Oil) <sup>7</sup> | 270        |



# RTU BEARING CORP.OF LTD.

|                                   |        |
|-----------------------------------|--------|
| Cg - Geometry Factor <sup>8</sup> | 0.0957 |
|-----------------------------------|--------|