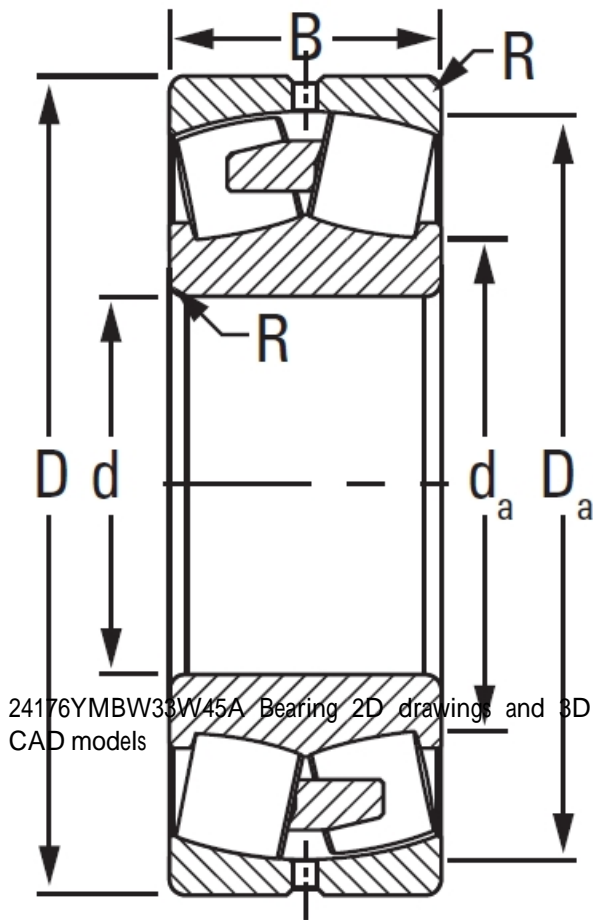




RTU BEARING CORP.OF LTD.

24176YMBW33W45A TIMKEN Tapered Roller Bearings Tapered Single Imperial

Bearing No. 24176YMBW33W45A



24176YMBW33W45A Bearing 2D drawings and 3D CAD models

Design Unit	METRIC
Bearing Weight	291.000 Kg
Cage Type	YMB
Cage Material	Brass
d	380.000 mm
D	620.000 mm
B - Inner Ring Width	243 mm
B - Outer Ring Width	243.000 mm
R - Inner Ring To Clear Radius ¹	4.000 mm
r - Outer Ring To Clear Radius ²	4.000 mm
da - Inner Ring Backing Diameter	427.000 mm
Da - Outer Ring Backing Diameter	565.000 mm
C0 - Static Radial Rating	10100000 N
C1(2) - Dynamic Radial Rating (Two-Rows)	5580000 N
e - ISO Factor ³	0.36
Y0 - ISO Factor ⁴	1.87
Y1 - ISO Factor ⁵	2.79
Y2 - ISO Factor ⁶	1.83
Reference Thermal Speed Rating (Grease)	300
Reference Thermal Speed Rating (Oil) ⁷	320
Cg - Geometry Factor ⁸	0.0901



RTU BEARING CORP.OF LTD.